

PAST EXAM PAPERS & MEMOS FOR ENGINEERING STUDIES N1-N6

THANK YOU FOR DOWNLOADING THE PAST EXAM PAPER, WE HOPE IT WILL BE OF HELP TO YOU. AT THE MOMENT WE **DO NOT HAVE MEMO FOR THE PAPER** BUT KEEP CHECKING OUT WEBSITE AND ONCE AVAILABLE WE WILL ADD IT FOR YOU.

ARE YOU IN NEED OF MORE PAPERS

You might be in need of **more question papers** and answers (memos) as you prepare for your final exams. We have a FULL SINGLE DOWNLOAD in pdf of papers between **2014-2019**. **ALL THE PAPERS HAVE ANSWERS (MEMOS)**. We sell these at a **very discounted price** of **R299.00** per subject. Visit our website <https://previouspapers.co.za/shop/> to purchase a full download. Once you purchase, you get instant download and access. The online payment is also safe and we use [payfast](#) as it is used by all the banks in South Africa.

PRICE OF THE PAPERS AT A BIG DISCOUNT

Previous papers are very important in ensuring you pass your final exams. The **actual value** of the papers access is way more than **R1 000** but we are making you access these for a small fee of **R299.00**. The small fee helps to maintain the website.

BONUS PAPERS

We are also **adding bonus papers for free** which are papers between 2008-2011. These papers are very valuable as examiners usually repeat questions from old papers time and again. You get access to bonus papers after purchasing your paper.

MORE FREE PAPERS

[Click here](#) to access more **FREE PAPERS**.



higher education & training

Department:
Higher Education and Training
REPUBLIC OF SOUTH AFRICA

NATIONAL CERTIFICATE

MOTOR BODYWORK THEORY N2

(11040572)

9 April 2020 (X-paper)
09:00–12:00

This question paper consists of 6 pages.

211Q1A2009

DEPARTMENT OF HIGHER EDUCATION AND TRAINING
REPUBLIC OF SOUTH AFRICA
NATIONAL CERTIFICATE
MOTOR BODYWORK THEORY N2
TIME: 3 HOURS
MARKS: 100


INSTRUCTIONS AND INFORMATION

1. Answer all the questions.
 2. Read all the questions carefully.
 3. Number the answers according to the numbering system used in this question paper.
 4. Use only a black or blue pen.
 5. Write neatly and legibly.
-

QUESTION 1

1.1 Various options are given as possible answers to the following questions. Choose the answer and write only the letter (A–D) next to the question number (1.1.1–1.1.10) in the ANSWER BOOK.

1.1.1 Prior to the year 1900 the first vehicle bodies were built in the style of the carriage and they were ...

- A trucks.
- B bicycles. 
- C tractors.
- D horse-drawn.

1.1.2 ... was used to strengthen the motor body.

- A Welding
- B Wood
- C Steel
- D Rubber

1.1.3 The first motor bodies were of the open type with ... for only two people.

- A seats
- B space
- C caps
- D boards 


1.1.4 The chief reason for introducing steel was to reduce ...

- A water.
- B mass.
- C tyres.
- D people.

1.1.5 The main aims of modern body design are ...

- A forward and reverse.
- B comfort and speed.
- C wheel and tyre.
- D strong and luxury.

1.1.6 In modern design the ... construction is used for the car chassis.

- A double 
- B triple
- C monocoque
- D two-way

- 1.1.7 The most common form of reinforcement used, is the
- A bottom surface.
 - B flat surface.
 - C curved surface.
 - D flat sheet.
- 1.1.8 Reinforcement can be provided by bending the metal in a ... shape.
- A flat
 - B U-shape or channel shape
 - C smooth shape
 - D small shape
- 1.1.9 A type of reinforcement is usually found around the edges of the ...
- A door.
 - B car seat.
 - C engine bonnet.
 - D cooling system.
- 1.1.10 The reinforcement that is popular in the floor of a motor body is ...
- A rolled or pressed grooves.
 - B a flat floor.
 - C a smooth area.
 - D a shining surface.
- (10 × 1) (10)
- 1.2 Indicate whether the following statements are TRUE or FALSE by writing only 'True' or 'False' next to the question number (1.2.1–1.2.10) in the ANSWER BOOK.
- 1.2.1 The front section of the body framework is called the torpedo front.
- 1.2.2 The torpedo front consists of 10 panels.
- 1.2.3 The most important pillar is the centre pillar which separates the engine and the front door.
- 1.2.4 The centre pillar serves as a support for the front and the rear doors.
- 1.2.5 Door pillars are made of pressured steel plates of different shapes.
- 1.2.6 The rear body is the section in front of the rear window.
- 1.2.7 The side panel includes the rear mudguards.
- 1.2.8 The rear body excludes the rear side panel.

1.2.9 The roof of the motor car is the largest single panel in the body construction.



1.2.10 The roof panel is pressed with large presses into a slightly convex shape.

(10 × 1)

(10)
[20]

QUESTION 2

2.1 FIGURE 1 shows a motorcar body construction and main body components.

Name the parts as indicted in the sketch by writing only the answer next to the question number (2.1.1–2.1.10) in the ANSWER BOOK.

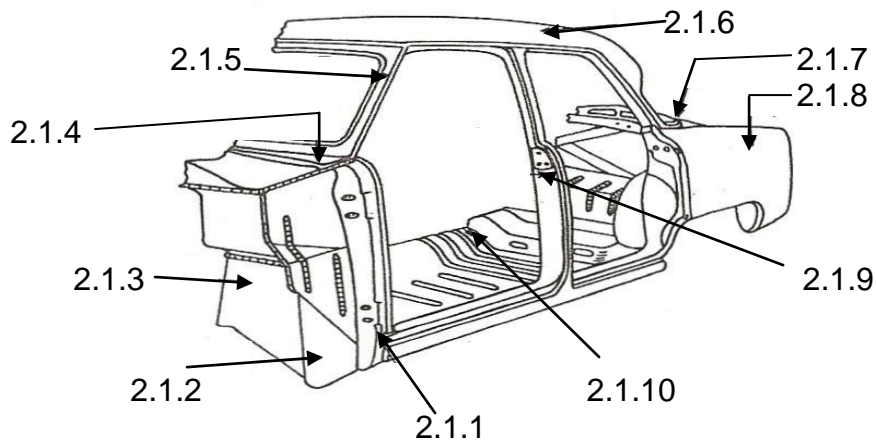


FIGURE 1

(10)

2.2 Draw and describe the following:

2.2.1 The neutral flame

2.2.2 The oxidising flame



(2 × 4)

(8)

2.3 State the flame and the material used to weld aluminium.

(2)

[20]

QUESTION 3

3.1 The bonnet of a motor vehicle was badly damaged and it has been repaired.



Fully describe the procedure of fitting a bonnet after it has been repaired.

(10)

3.2 FIGURE 2 shows a sectional view of a welding torch or blowpipe.



Name the parts indicated in the sketch by writing only the answer next to the question number (3.2.1–3.2.6) in the ANSWER BOOK.

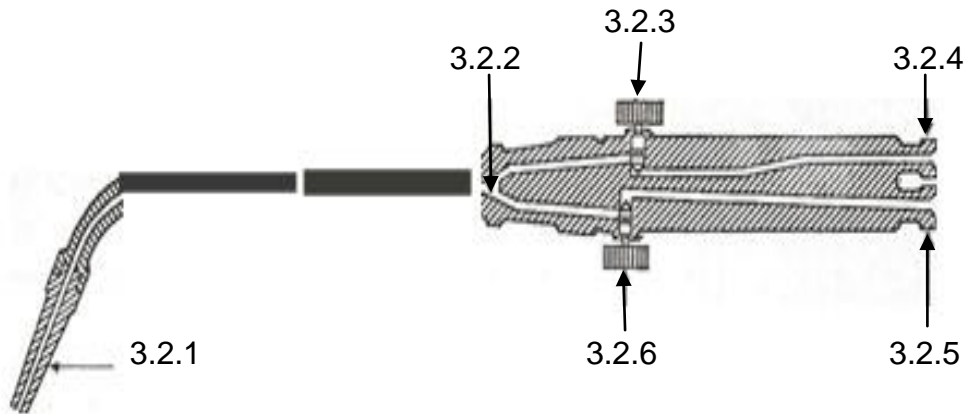


FIGURE 2

(6)

3.3 Name FOUR parts of the porta power.



(4)

[20]

QUESTION 4

4.1 A car with a fibreglass fender was involved in a light accident, causing a hole in the fender.

Describe step-by-step in the correct order how repair to the fender should be carried out with the aid of a form support.

(14)

4.2 Name SIX parts of a pop rivet gun.



(6)

[20]

QUESTION 5

5.1 State FOUR basic rules to be complied with when mixing colour.

(4)

5.2 Name THREE metallic paint pigments.

(3)

5.3 In spray-painting the spray gun should always be handled correctly.

State FIVE causes of spray fluttering.



(5)

5.4 State FOUR causes of an orange peel effect in a paint finish.

(4)

5.5 Name FOUR most important components of the spray gun.

(4)

[20]

TOTAL: 100